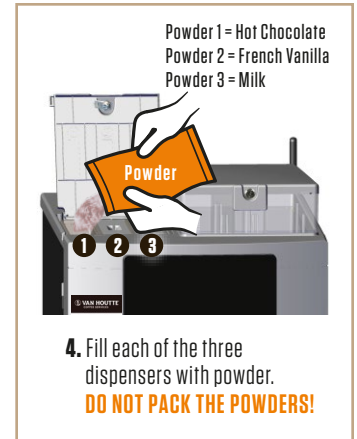


ECCELLENZA MOMENTUM™ BREWER DAILY MAINTENANCE GUIDE



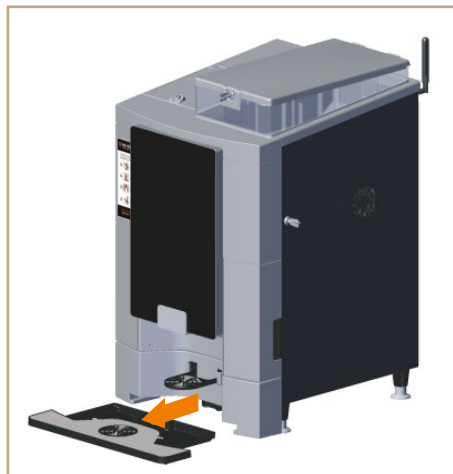
Safety brewed together

A FILL THE COFFEE BEAN & POWDER DISPENSERS

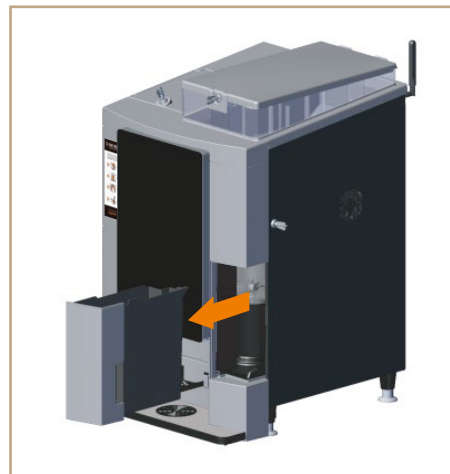


5. Close the coffee dispenser lid, install the individual powder lid(s) and then close the main powder dispenser lid.

B EMPTY THE CUP STAND



C EMPTY THE WASTE BIN



D CLEAN THE BREWER



MESSAGES THAT MAY APPEAR ON THE SCREEN AND WHAT THEY MEAN

Powder 1 Low Level
Powder 2 Low Level
Powder 3 Low Level
Waste bin full
No waste bin
Warming up
Overflow
Call for service

Refill the **POWDER 1** dispenser.
Refill the **POWDER 2** dispenser.
Refill the **POWDER 3** dispenser.
Remove the waste bin, discard its contents, and re-install the waste bin.
The waste bin is not installed or is not pushed in all the way. Make certain it is installed properly.
The water is heating. This message clears automatically once the water is up to temperature.
Remove the cup stand, and then remove and clean the floor liner. If this issue persists, call for service.
The equipment requires servicing. Contact your equipment provider.

See section

A
A
A
C
C

Your partner for business coffee solutions



VAN HOUTTE
COFFEE SERVICES